



**DUAL  
ARTICULATED  
ARMS**

# BT7384

## FULL MOTION TWIN SCREEN DESK MOUNT



The BT7384 is a full motion, twin screen desk mount designed to display 2 screens up to 28" side by side. Dual articulated arms feature three swivel points: 360° at pole, 360° at pivot and 220° at interface and easy tilt and height adjustment to allow the user to achieve optimum screen positioning and maximum user comfort. Cable management is integrated throughout the mount for a clean and tidy installation.

### SPECIFICATION

Recommended screen size	up to 28"
Max load	9kg per screen
VESA® compatibility	75 x 75 & 100 x 100
Tilt	+ 65°/- 90°
Swivel at pole & arm pivot	360°
Swivel at interface	180°
Screen rotation	360°
Max extension	586mm
Colour	Black

### FEATURES

- Designed to mount 2 screens side-by-side
- Dual articulated arm desk mount made from durable aluminium with a powder coated finish
- 3 swivel points, at the pole, arm pivots and interfaces
- Optional insert stoppers lock the extension arms in place
- Easy height adjustment using tool-less locking collar
- Supplied with both a desk clamp and grommet
- Integrated cable management
- Simple 'hook-on' installation with all mounting hardware included

**28"**  
71cm

**VESA**  
100

**9KG**

↑  
↓

↺  
↻

↺  
↻

↺  
↻

↺  
↻

PER SCREEN

fulmotionmounts



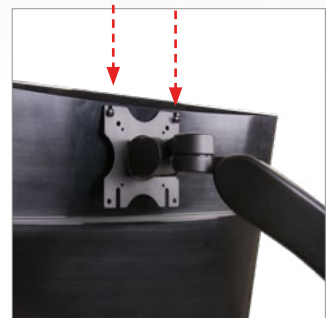
Cable management is integrated throughout the mount for a neat and tidy installation



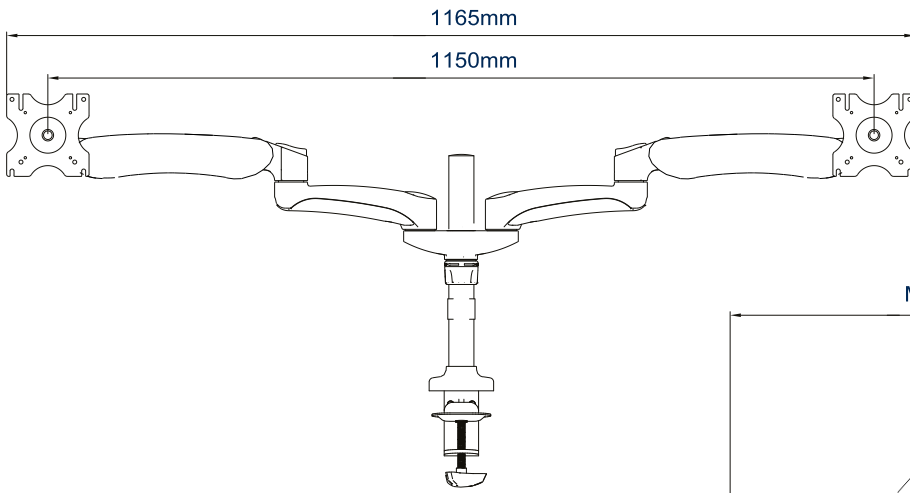
Supplied with a desk clamp that can attach either to the rear or side of a desk or through a grommet hole



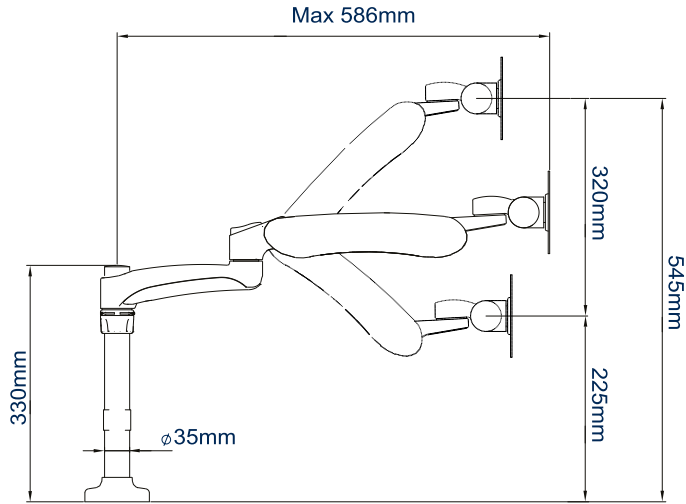
Full motion adjustability allows easy screen positioning for the perfect display



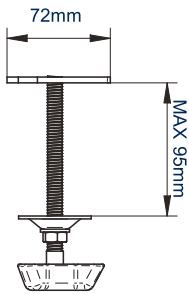
Quick and easy 'hook-on' installation



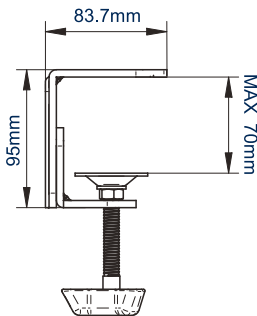
FRONT VIEW



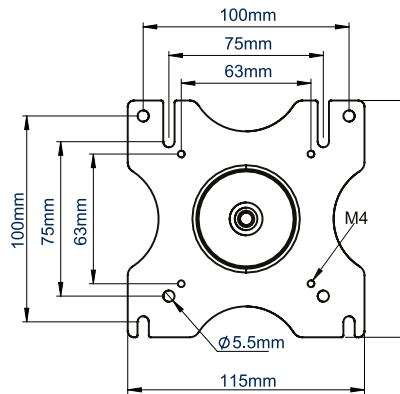
SIDE VIEW



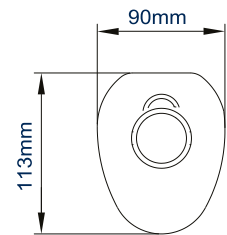
SIDE VIEW - GROMMET



SIDE VIEW - DESK CLAMP



FRONT VIEW - INTERFACE



TOP VIEW - BASE

PACKING INFORMATION

COLOUR:	ORDER REF:	EAN CODE:	MASTER CARTON QTY:	INNER CARTON QTY:	MASTER CARTON WEIGHT:	MASTER CARTON CUBE:
Black	BT7384/B	5019318752384	2	0	14.5kg	0.083cbm

ACCESSORIES & RELATED PRODUCTS

BT7374



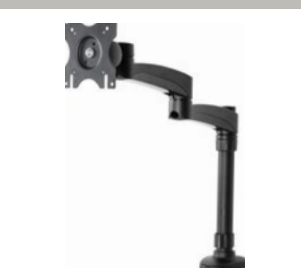
Twin Screen Full Motion Desk Mount designed for 2 screens up to 28"

BT7383



Full Motion Double Arm Desk Mount designed for screens up to 28"

BT7373



Double Arm Desk Mount designed for screens up to 28"

BT7382



Full Motion Single Arm Desk Mount designed for screens up to 28"

© 2019 B-Tech Professional Design & Manufacturing Limited. All rights reserved. The information in this document is subject to change without notice. B-Tech Professional Design & Manufacturing Limited does not accept liability for loss or damage caused by improper use of the information contained herein. Reproduction or transmission of any part of this specification is expressly prohibited, unless prior written permission has been granted by B-Tech Professional Design & Manufacturing Limited. E&OE.

SS-V3.1-BT7384-100919